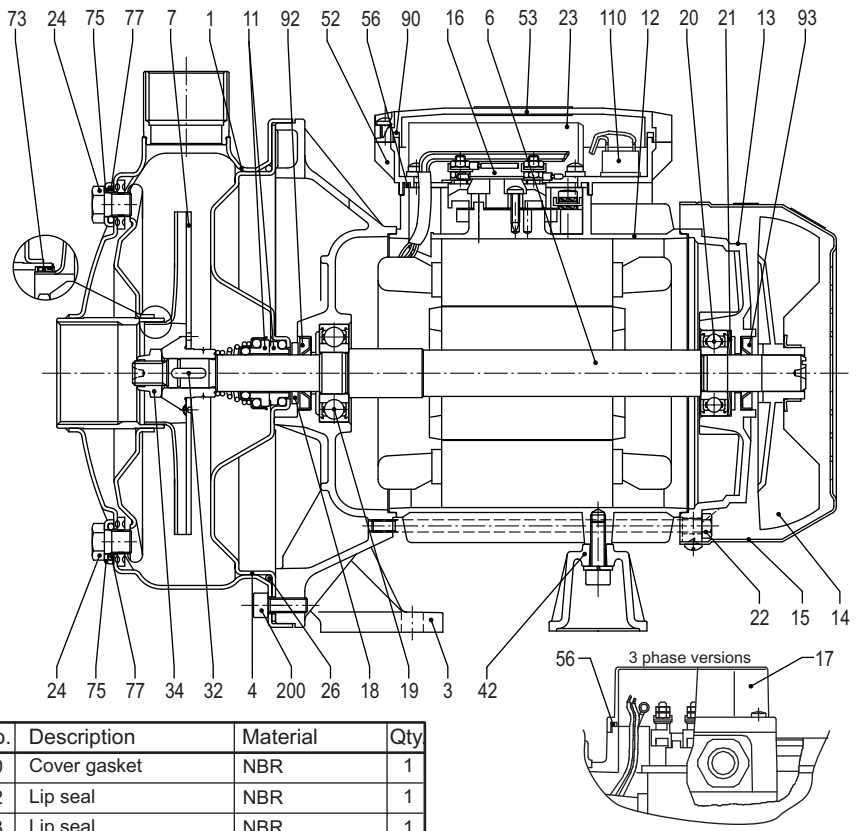


Sectional Drawing

Model **CDX**

No.	Description	Material	Qty
1	Casing	304 S/Steel	1
3	Motor bracket	Aluminium	1
4	Casing cover	304 S/Steel	1
6	Shaft with rotor	303 S/St (In contact with liquid)	1
7	Impeller	304 S/Steel	1
11#	Mechanical seal	Ceramic/Carbon/NBR	1
12	Motor frame with stator	-	1
13	Motor cover	Aluminium	1
14	Fan	Polyamide	1
15	Fan cover	Fe P04 (Gal)	1
16	Terminal block	-	1
17	Terminal box cover	Aluminium [2]	1
18	Splash ring	NBR	1
19	Pump side ball bearing	-	1
20	Fan side ball bearing	-	1
21	Adjusting ring	Steel C70	1
22	Tie rod	Fe 420 (Gal)	4
23	Capacitor [1]	-	1
24	Priming/Drain plug	303 S/Steel	2
26#	O-Ring	NBR	1
32	Key	316 S/Steel	1
34	Impeller nut	304 S/Steel	1
42	Motor support	Aluminium	1
52	Terminal box [1]	ABS	1
53	Terminal box cover [1]	ABS	1
56	Box gasket	NBR	1
73#	Casing ring [3]	NBR/304 S/St	1
75	Washer	304 S/Steel	2
77#	O-ring	NBR	2



No.	Description	Material	Qty
90	Cover gasket	NBR	1
92	Lip seal	NBR	1
93	Lip seal	NBR	1
110	Protector [4]	-	1
200	Screw	Stainless steel A2 UNI7323	8

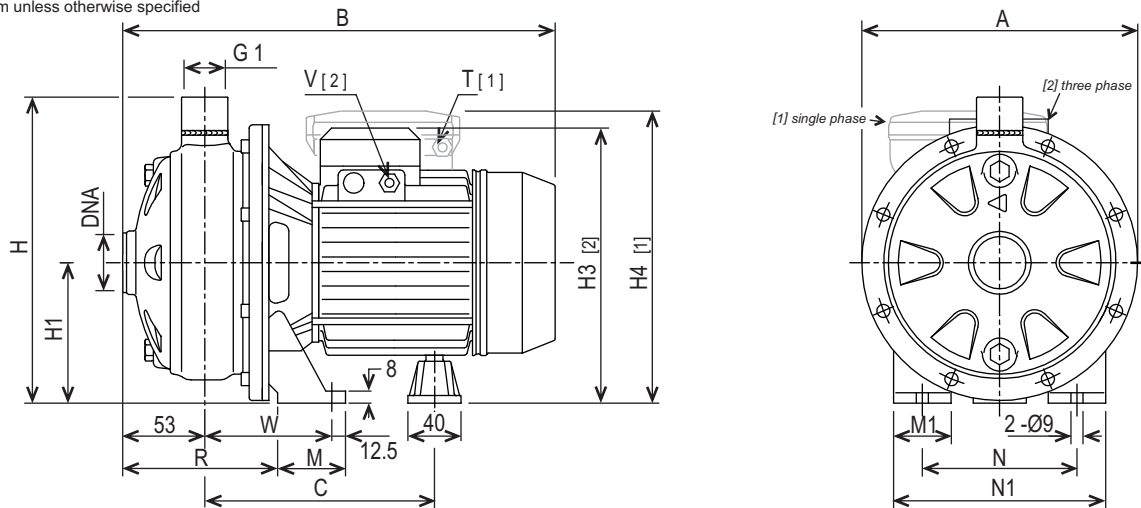
Optional materials available
Carbon/Ceramic/Viton or SiC/SiC/Viton seal
Viton O-rings & Viton /AISI 304 Casing ring

1 - Single phase only 2 - Three phase only 3 - 70/05,70/07, 90/10 only 4 - 1.5 kW single phase only

Dimensions

Model **CDX**

Units: mm unless otherwise specified



Model CDXM/CDX	Dimensions															Approx. Weight kg	
	A	B [1] [2]	C	H	H1	H3	H4	M	M1	N	N1	R	T	V	W		DNA (n)
70/05	208	321 / 320	181	229.5	106	207	216	50	38	120	160	108	PG 11	PG 11	93	G1 ¼	9
70/07	208	321 / 320	181	229.5	106	207	216	50	38	120	160	108	PG 11	PG 11	93	G1 ¼	10
90/10	208	321 / 320	181	229.5	106	207	216	50	38	120	160	108	PG 11	PG 11	93	G1 ¼	11
120/07	208	321 / 320	181	229.5	106	207	216	50	38	120	160	108	PG 11	PG 11	93	G1 ¼	10
120/12	208	321 / 332	181	229.5	106	207	235	50	38	120	160	108	PG 11	PG 11	93	G1 ¼	12
120/20	231	347 / 359	199	250	118	237	249	55	40	140	180	105.5	PG 13.5	PG 11	95	G1 ¼	17
200/12	208	321 / 332	181	229.5	106	207	235	50	38	120	160	108	PG 13.5	PG 11	93	G1 ½	12
200/20	208	347 / 359	199	229.5	106	225	237	55	40	140	180	105.5	PG 13.5	PG 11	95	G1 ½	16
200/25	232	- / 359	199	250	118	237	-	55	40	140	180	105.5	-	PG 11	95	G1 ½	16

Specifications subject to change without notice



EBARA PUMPS AUSTRALIA PTY. LTD.

Data Sheet
CDX 13-03